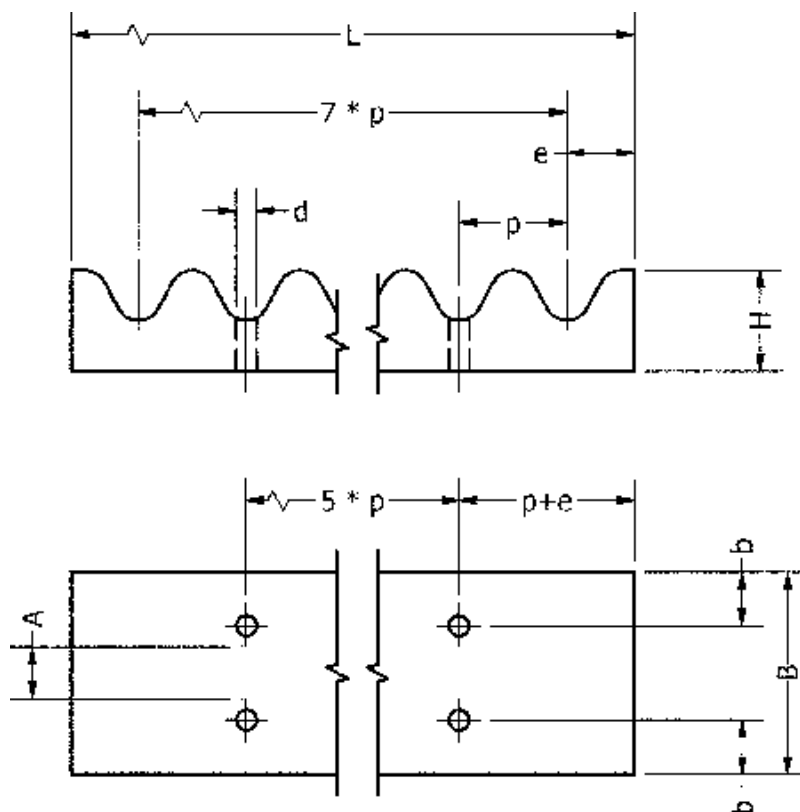


Article number: 6041651300010

Description: Clamping plate for belts HTD 5M 10

## Measures



= -	b = 6
= -	B = 28
= -	d = 5.5
= -	e = 3.2
= -	H = 8
= -	L = 41.8
= -	
A = 10	